

PL Series - Ultra Thin Projector Lift

Projector Lift



Different from the commonly-available scissors structure, CM series motorized projector lift is using two-armed structure made from aluminum alloy, which can avoid the front-to-back and side-to-side swing problem. The anti-broken structure ensures the security of use. This series including two models PL100L, PL200L, customer can choose the proper lift according to different ceilings, besides these standard sizes, we can produce the lift as client's customized requirement within 2 meters travel distance. The weight capacity is 40 kg.

Ultra thin design : The thinnest can be 223.50mm (8.8") if the thickness of the installed projector is less than 130mm, travel distance is up to 1020mm (40").

Solid structure : Based on the patent folding arm structure, provided a stable operation without any front-to-back and side-to-side swing issue, accurate repositioning.

Models : PL100L, PL200L

Easy installation : Quick installation, simple construction, easy accessibility.

Weight capacity : 40KG

Travel : 223.50-1020mm/315.5-1910mm

Control : IR/RF/12V Trigger/RS232/485

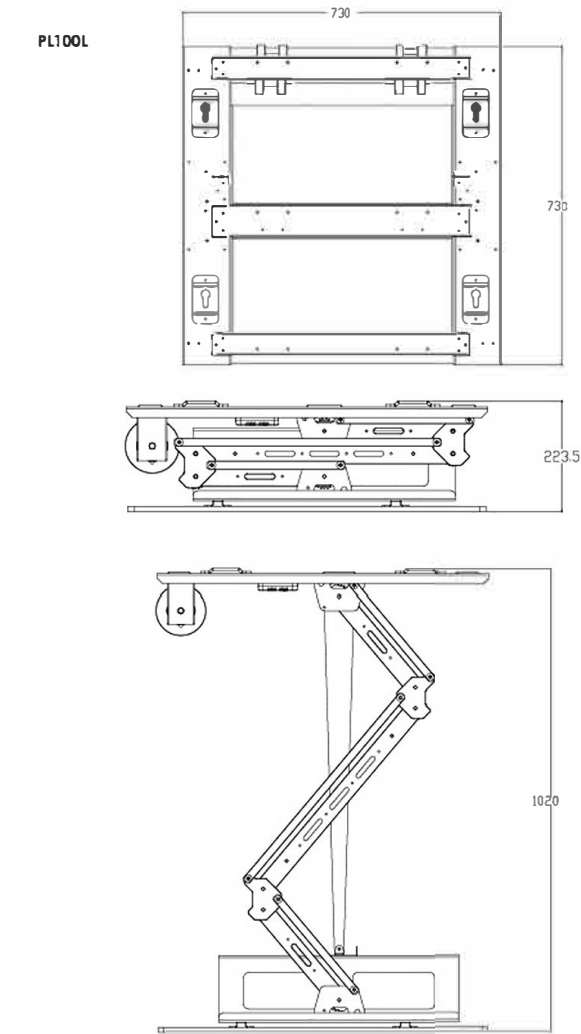
Option : IP control

CE RoHS

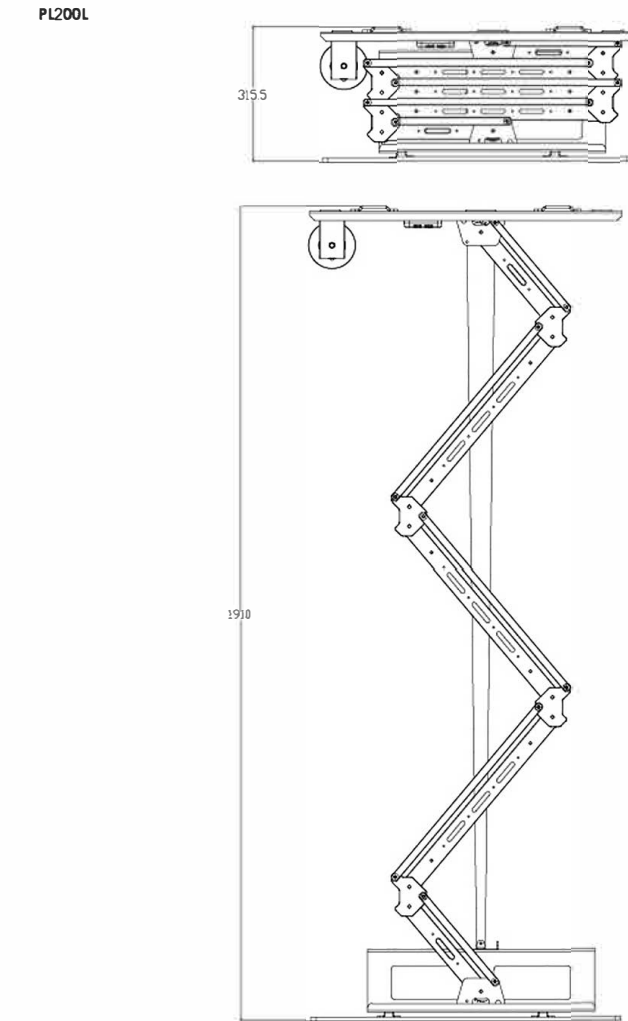


PL Series - Ultra Thin Projector Lift

Projector Lift



ULTRA THIN DESIGN - The thinnest can be 223.50mm (8.8") if the thickness of the installed projector is less than 130mm, travel distance is up to 1020mm (40").
SOLID STRUCTURE - Based on the patent folding arm structure, provided a stable operation without any front-to-back and side-to-side swing issue, accurate repositioning.
EASY INSTALLATION - Quick installation, simple construction, easy accessibility.
WIGHT CAPACITY - 40KG
TRAVEL - 223.50-1020mm
CONTROL - IR/RF/12V Trigger/RS232/485
OPTION - IP control



ULTRA THIN DESIGN - The thinnest can be 315.50mm (8.8") if the thickness of the installed projector is less than 130mm, travel distance is up to 1910mm (40").
SOLID STRUCTURE - Based on the patent folding arm structure, provided a stable operation without any front-to-back and side-to-side swing issue, accurate repositioning.
EASY INSTALLATION - Quick installation, simple construction, easy accessibility.
WIGHT CAPACITY - 40KG
TRAVEL - 315.5-1910mm
CONTROL - IR/RF/12V Trigger/RS232/485
OPTION - IP control